



Time Zone Hydration System Installation Instructions



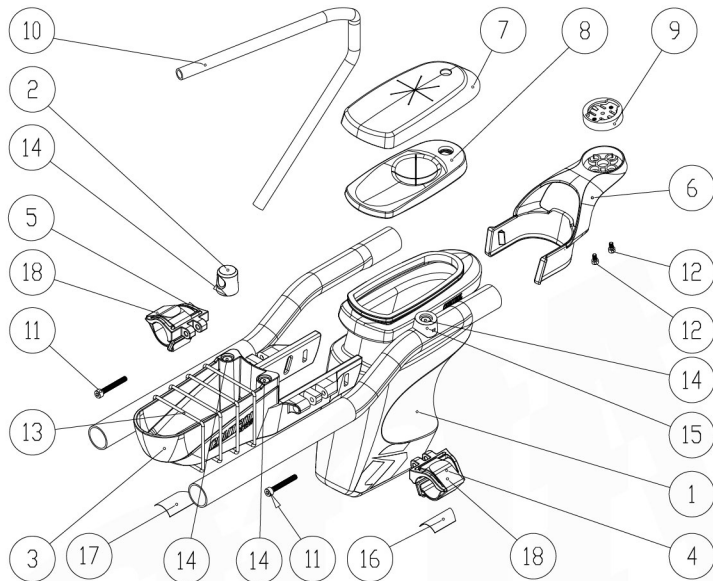
說明

感謝購買Controltech產品。請詳讀此安裝說明書並遵循正確使用方式，若沒有遵從說明書警告事項而導致產品損壞則不再保固範圍內。

保固

從購買日起Controltech提供兩年產品保固。消費者請保留產品保證書或相關的購買證明(如發票或收據)。產品在保固期內有需要維修服務時，煩請提出保證書或相關購買證明。

Controltech保固不包括錯誤或惡意之損壞，也不包含跳躍摔倒降落衝擊或其他的碰撞，以及忽視定期保養和錯誤零件組裝。另外，私自改裝、增加或替換產品上的零件，是不包含在保固內。自然的損壞也不包含在保固範圍內。

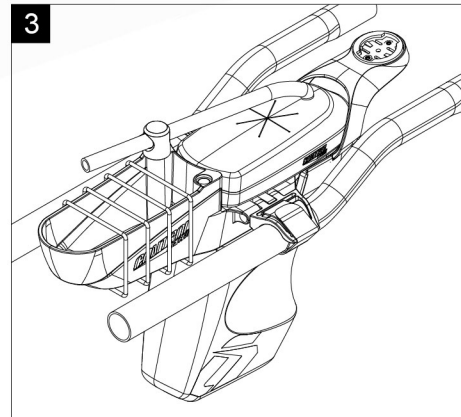
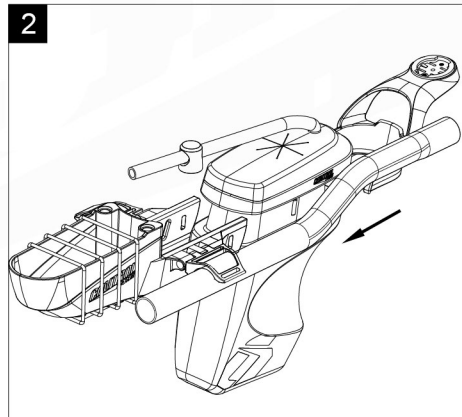
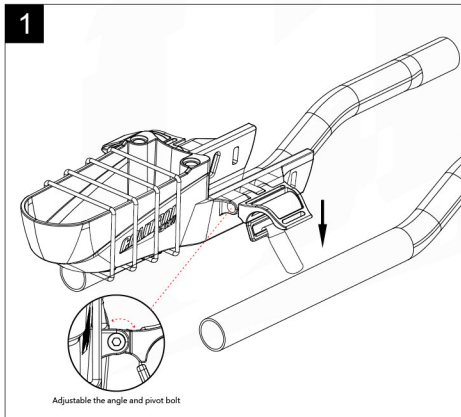


產品名稱 / 型號

Time Zone Hydration System / THS-01 **產品請勿冷凍儲藏**

零件名稱

- | | |
|-----------------|--------------|
| ① 水壺本體x1 | ⑫ M3x6mm螺絲x2 |
| ② 磁鐵上座x1 | ⑬ O型環x2 |
| ③ 後支架便當盒x1 | ⑭ 強力磁鐵x4 |
| ④ 右固定支架x1 | ⑮ 延伸把磁鐵座x1 |
| ⑤ 左固定支架x1 | ⑯ 右止滑墊x1 |
| ⑥ 前置碼表架x1 | ⑰ 左止滑墊-左x1 |
| ⑦ 矽膠填充外蓋x1 | ⑱ 魔鬼氈x2 |
| ⑧ 矽膠填充內蓋x1 | |
| ⑨ Garmin表座x1 | |
| ⑩ 矽膠吸管x1 | |
| ⑪ M4x30mm樞軸螺絲x2 | |



安裝說明

1. 安裝前檢查產品外觀是否整潔或有任何粗糙瑕疵，為避免傷及產品。有的話請聯繫經銷商或車店。
2. 請先拆卸前置碼表架及後支架便當盒。
3. 將後支架便當盒安裝在延伸把上。
4. 請根據延伸把寬度調整左右固定支架置適當位置，並鎖緊樞軸螺絲。(寬度: 90mm-120mm)
5. 將水壺滑入後支架便當盒，並將前置碼表架固定於後支架便當盒。
6. 最後將魔鬼氈穿過延伸把束緊以穩固前置水壺系統即可。





Time Zone Hydration System Installation Instructions

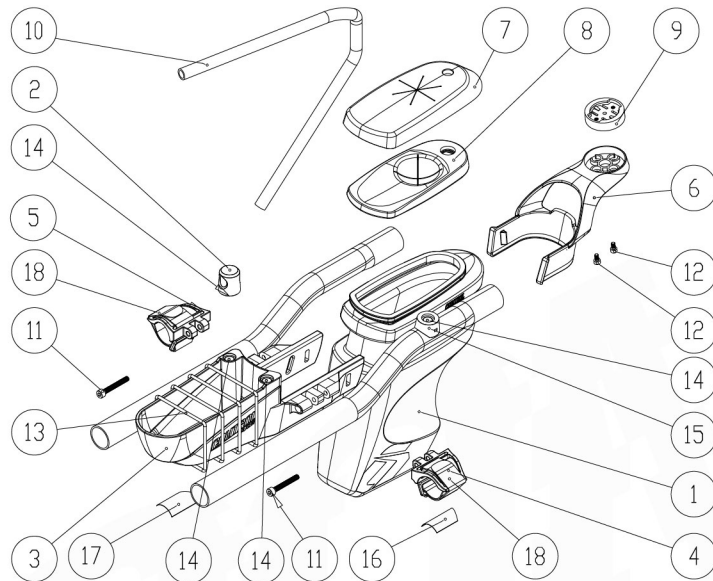


Thank you for choosing this Controltech. With proper care and installation, it will give you trouble-free, enjoyable use.

In order to maximize the safe enjoyment of this product, you should read and carefully follow the following installation instructions and warnings. Failure to do so could result in unexpected wear and/or failure, possibly resulting in injury.

Controltech warrants this product to be free from defects in materials and workmanship for a period of two years from the date of purchase when purchased from an authorized Controltech dealer. This warranty is extended only to the original owner of the product and is not transferable. Proof of purchase is required for any warranty service, so be sure to keep your receipt.

This warranty does not cover cosmetic or structural damage arising from misuse or abuse, including damage caused by crashes, jumping and landing, front end impact, falls or any other collision, owner neglect of regular maintenance, improper installation of parts and accessories. Controltech makes no warranty if modifications, changes, additions or substitutions are made to any components. Wear from normal use or exposure to environmental elements is not covered by this warranty. Controltech makes no warranty against any incidental or consequential damage to bike or parts, or rider injury caused by defects as covered in this warranty.

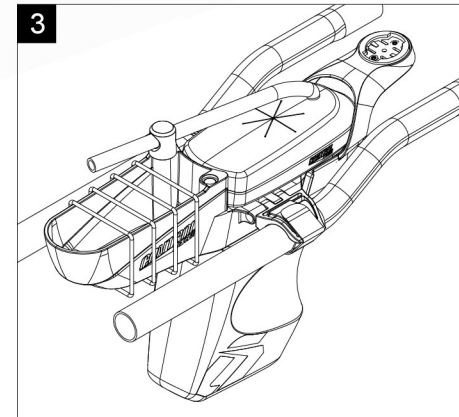
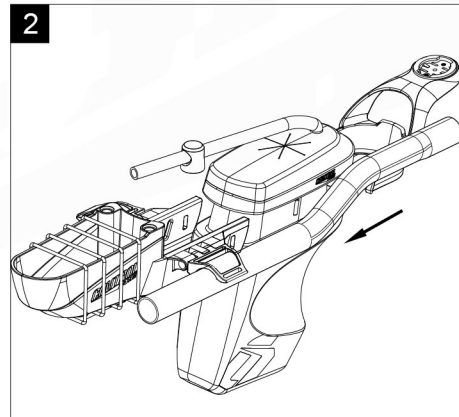
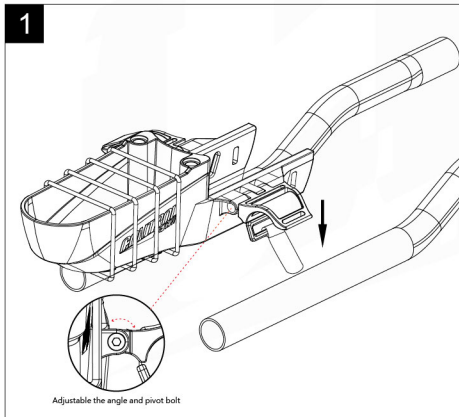


Model name / Model no.

Time Zone Hydration System / THS-01 **Don't Freezing Storage**

Part

- ① Time Zone Bottle x1
- ② Magnet wedge x1
- ③ Rear Bracket with integrated bento box x1
- ④ Bracket Holder Right x1
- ⑤ Bracket Holder Left x1
- ⑥ Front Bracket with integrated computer mount x1
- ⑦ Silicone Filler Cap Outer
- ⑧ Silicone Filler Cap Inner
- ⑨ Garmin Computer Mount x1
- ⑩ Flex Strawx1
- ⑪ Pivot Bolts (M4x30mm) x2
- ⑫ Bolt (M3x6mm)x2
- ⑬ O-ring x2
- ⑭ Magnets x4
- ⑮ Magnet Seat-Extension x1
- ⑯ Slip pad Right x1
- ⑰ Slip pad Left x1
- ⑱ Velcro Strap x2



Installation Instructions:

1. Inspect the stem for any defectives before installation and please contact the dealer or distributor if any.
2. Disassemble the Front Bracket and Rear Bracket
3. Mount the Rear Bracket on the extension and ensure the Bento Box is on the rear.
4. Adjust the Bracket holder according to your extension width and tighten the Pivot Bolt. (Width: Center to center 90mm-120mm)
5. Slide in the Time Zone Bottle on the Rear Bracket and attach the Front Bracket
6. Wrap the Velcro Strap to secure the Hydration system.

